

Governor System Potentiometers

1 INTRODUCTION

A speed trim control potentiometer is used to make precise adjustments of engine speed to accurately set the generator output frequency.

A droop potentiometer is used to adjust the percentage of speed droop experienced at full load.

The trim control speed range is determined by the speed control unit and is typically +/- 200 Hz, corresponding to approximately +/- 5% of generator frequency.

2 POTENTIOMETER PART NUMBERS AND DESCRIPTION



TP501
1 Turn / 5K / With Knob



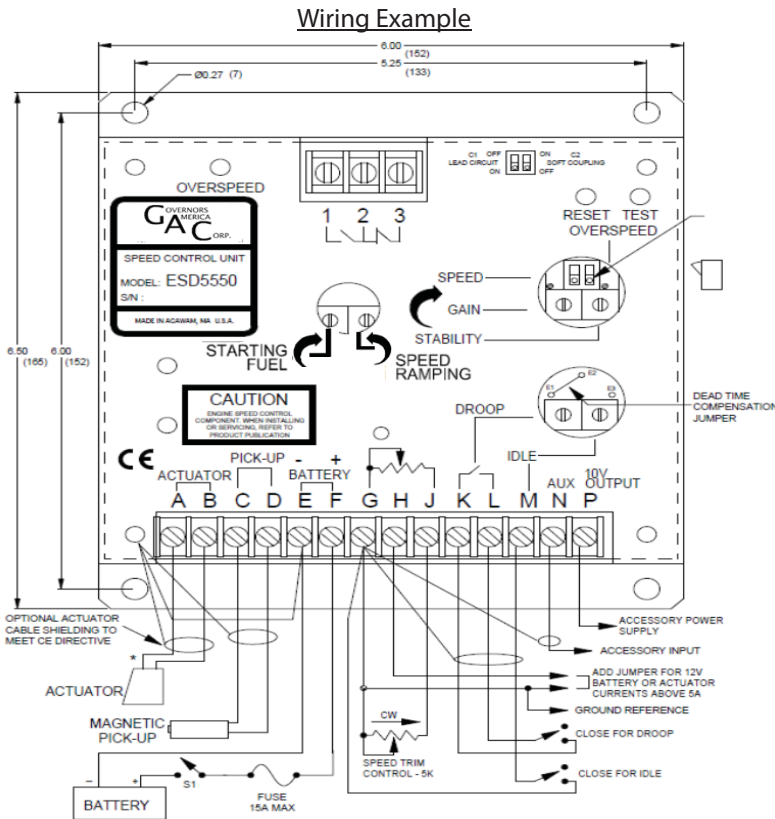
TP502
10 Turn / 5K / With Knob



TP503
10 Turn / 5K / With Locking Shaft



TP504
1 Turn / 20K / With Knob / Droop Control



TP508
10 Turn / 20K / With Locking Shaft



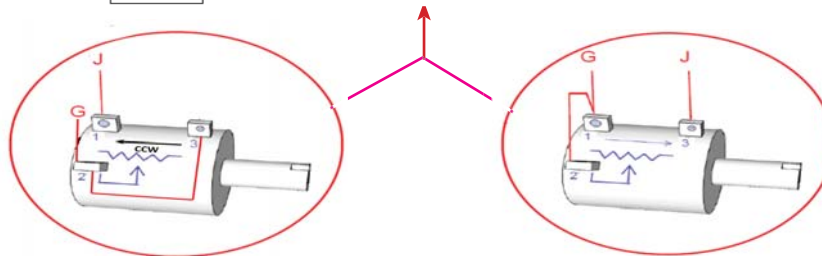
TP509
10 Turn / 20K / With Knob



TP510
10 Turn / 1K



TP511
10 Turn / 10K



Wired For CCW
Rotation 2 & 3
Tied Together
Then to 'G'

Wired For CW
Rotation 1 & 2
Tied Together
Then to 'G'



TP521
10 Turn / 5K / Multiple Variable Speed Control / Vernier Dial